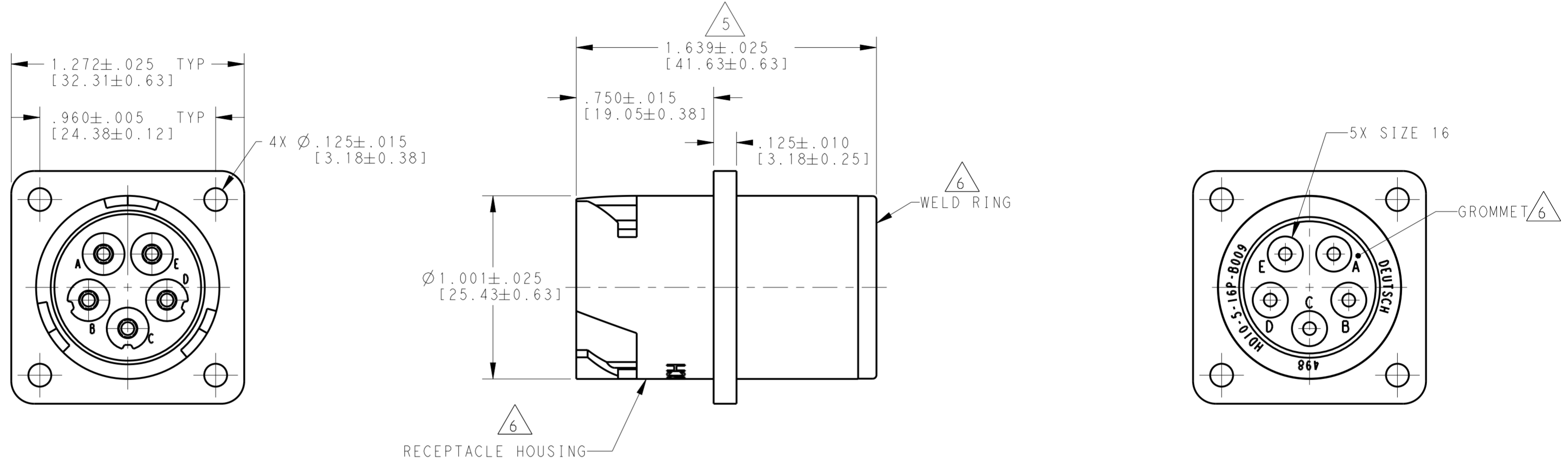
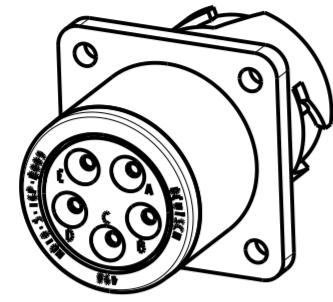


THIS DRAWING IS UNPUBLISHED
 RELEASED FOR PUBLICATION 2013
 © COPYRIGHT 2013 BY TE CONNECTIVITY. ALL RIGHTS RESERVED.

REVISIONS						
LOC	DIST	P	LTR	DESCRIPTION	DATE	APVD
-	-	NC		NEW RELEASE PER E.O. A12900	14DEC1992	JA
		A		REVISED AND REDRAWN PER E.O. P16294	20SEP1999	RDR
		B		REVISED PER E.O. P21366	4JUN2012	RDR
		B1		REVISED PER ECO-14-002953	29JAN2014	PV DM



- 6. MATERIAL:
RECEPTACLE HOUSING AND WELD RING: PA 15%GF (GREY)
SEAL: SILICONE (RED)
- 5. OVERALL DIMENSION DOES NOT INCLUDE RUBBER GROMMET.
- 4. THIS RECEPTACLE MATES WITH THE FOLLOWING PLUG (X=SEAL TYPE, XXXX = ALL MODIFICATIONS).
HD16-5-16SX-XXXX
- 3. SEE DRAWING 0425-015-0000 FOR CONTACT AND WIRE PERFORMANCE AND APPLICATION CHARACTERISTICS.
- 2. MAXIMUM PANEL THICKNESS IS .250 [6.35].
- 1. SEE TABLE FOR USABLE WIRE RANGE AND INSULATION RANGE.

CONTACT SIZE	MINIMUM O.D.	MAXIMUM O.D.	WIRE RANGE [mm ²]
16	.100 [2.54]	.150 [3.81]	14-20 AWG [2.0-.50]

NOTES:

THIS DRAWING IS A CONTROLLED DOCUMENT.

DIMENSIONS: INCHES [mm]	TOLERANCES UNLESS OTHERWISE SPECIFIED:	DWN: J. HAYNES 05OCT1999	TE Connectivity
	0 PLC ±	CHK: I. GRANTCHAROVA 16SEP2013	
	1 PLC ±	APVD: D. MEYER 18SEP2013	
MATERIAL	2 PLC ±	PRODUCT SPEC	NAME: RECEPTACLE SQUARE FLANGE
	3 PLC ±.025	APPLICATION SPEC	HD10 SERIES ARR. 5-16
	4 PLC ±	WEIGHT: 23.43 (g)	COLOR: GREY
	ANGLES ±0°30'0"	Customer Drawing	SIZE: A2
	FINISH	SCALE: 2:1	CAGE CODE: HD10-5-16P-B009
		SHEET 1 OF 1	RESTRICTED TO: -
		REV: B1	